

CITY OF HIGHLAND, CALIFORNIA
LANDSCAPE PLAN
 8020 PALM AVENUE
 A.P.N. 1192-641-01

A PORTION OF THE SOUTH 1/2 OF THE SOUTHEAST QUARTER OF SECTION 5, TOWNSHIP 1 SOUTH, RANGE 3 WEST, SAN BERNARDINO MERIDIAN, IN THE CITY OF HIGHLAND, COUNTY OF SAN BERNARDINO, CALIFORNIA.

SITETECH, INC.

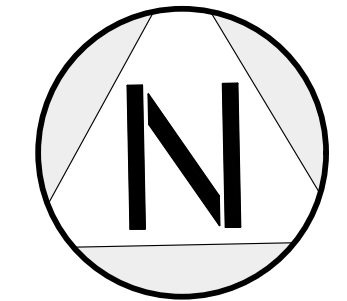
JUNE 2021

OWNER/APPLICANT:

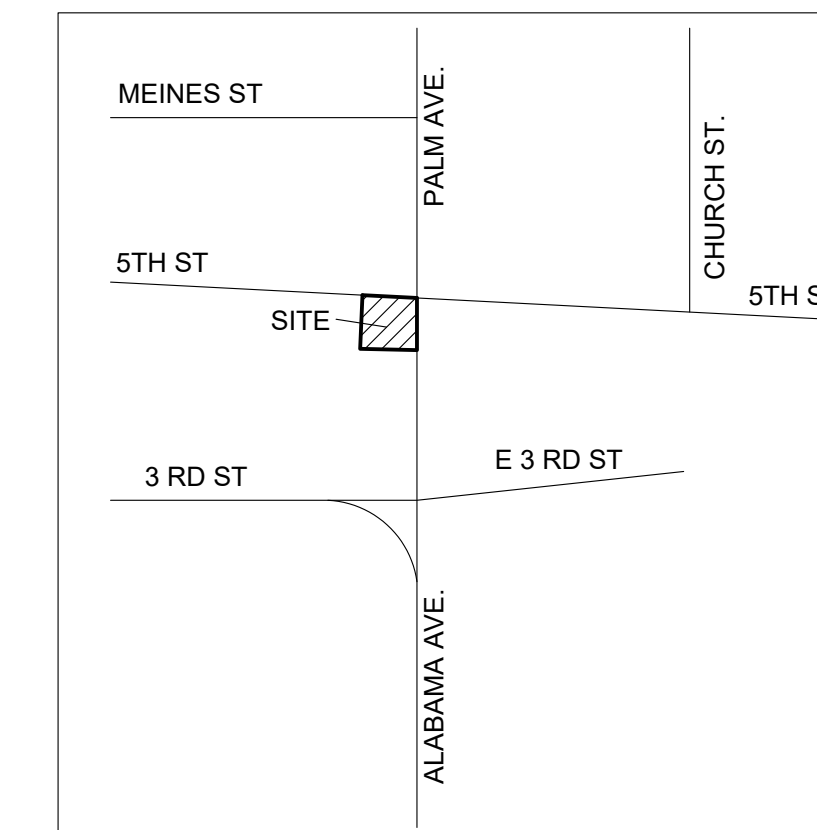
GHULAM SARWAR
 5052 WESTMONT STREET
 RIVERSIDE, CA 92507
 PH: (951) 536-0786

ENGINEER/MAP PREPARER:

SITETECH, INC.
 8061 CHURCH STREET
 P.O. BOX 592
 HIGHLAND, CA, 92346
 PH: (909) 864-3180



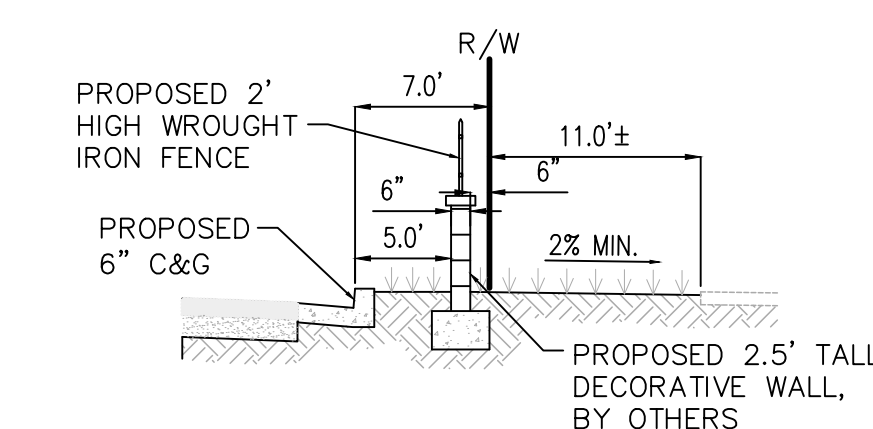
SCALE: 1"=10'



VICINITY MAP
 NO SCALE

PLANTING LEGEND

SYMBOL	QUAN.	SIZE	BOTANICAL/Common NAMES	NOTES
TREES				
	5		EXISTING TREE TO BE UTILIZED	
	3	12" BTH	CANARY ISLAND PALM / MEXICAN FAN PALM	BTH=BROWN TRUNK HEIGHT
SHRUBS				
	38	1 GAL	HEMEROCALLIS HYBRIDS / DAYLILLY-EVERGREEN	RED AND YELLOW 50% EACH-MIXED
	13	5 GAL	LANTANA H. 'SPREADING SUNSET' / S.S. ORANGE LANTANA	PROVIDE NURSERY TAGS
	24	5 GAL	LEUCOPHYLLUM C. 'THUNDER CLOUD' / T. C. VIOLET SILVERLEAF	PROVIDE NURSERY TAGS
	25	1 GAL	MUHLENBERGIA R. 'NASHVILLE' / PURPLE MUHLY GRASS	PROVIDE NURSERY TAGS
	18	5 GAL	NANDINA D. 'COMPACTA' / HEAVENLY BAMBOO	PROVIDE NURSERY TAGS
	23	5 GAL	ROSA 'CARPET' / CARPET ROSE-YELLOW COLORED	PROVIDE NURSERY TAGS
SHRUBS				
	0	1 GAL	MACFADYNENA UNGIS-CATI / CAT'S CLAW VINE	TRAIN ON TRASH ENCLOSURE WALLS
GROUND COVERS				
	1,513 SF	FLAT	GAZANIA H. 'AZTEC QUEEN' / AZTEC CLUMPING GAZANIA	PLANT AT 6" O.C.
	1,393 SF	2" DEPTH	MULCH-GORILLA HAIR REDWOOD MULCH IN ALL SHRUB AREAS	AVAILABLE FROM EARTHWORKS
	3		BOULDER-DESERT MARBLE-SIZES 1- 3'x3', 1 3'x2.5', 1-2'x2'	FROM SWB-BURY 1/3 DEPTH



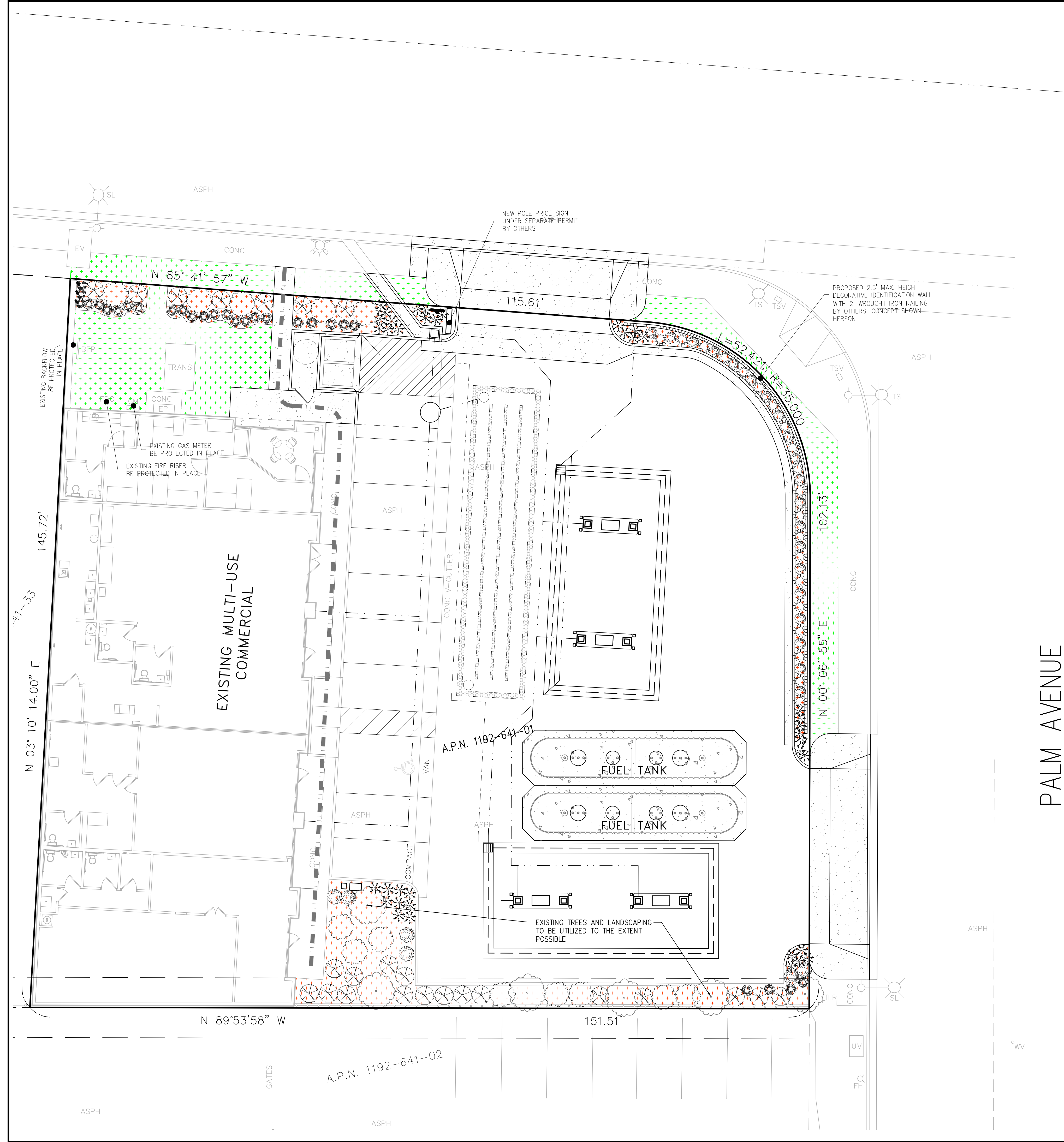
DECORATIVE WALL CONCEPT
 SCALE: 1"=10'

WATER CONSERVATION STATEMENT:

STB LANDSCAPE ARCHITECT'S, Inc. HAS FOLLOWED AND MET ALL WATER CONSERVATION REQUIREMENTS SET FORTH IN BOTH THE CITY AND STATE ORDINANCES. STB HAS ACHIEVED THESE GOALS THROUGH THE USE OF HIGHLY EFFICIENT MICRO-SPRAY IRRIGATION NOZZLES TO ALL PLANTED AREAS, COMBINED WITH SUPPLEMENTAL BUBBLERS TO ALL TREES AND A "SMART" E.T. BASED CONTROLLER AND RAIN SHUT-OFF DEVICE. THE CONTROLLER WILL RECEIVE E.T. INFORMATION THAT WILL ALLOW THE CONTROLLER TO UP-DATE R.C.V. RUN TIMES ON A DAILY BASIS THERE BY ELIMINATING THE NEED FOR MANUALLY ADJUSTING THE CONTROLLER FOR WEEKLY OR SEASONAL WEATHER CHANGES

MAINTENANCE RESPONSIBILITY NOTE:

THE OWNER OF THE HAVE A SNACK FUELS WILL BE RESPONSIBLE FOR ALL MAINTENANCE AND WATER MANAGEMENT WITHIN THEIR PROPERTY.



PALM AVENUE



SITETECH INC.
 8061 CHURCH ST. HIGHLAND CA 92346 PO BOX 592
 PH: (909) 864-3180, FAX: (909) 864-0850
 BERNHARD K. MAYER R.C.E. 36866 06/23/2021 DATE